

GUARDIAN® WXOmega1

Powder Batch Blender



Tailor-made blending solutions for powders!



WXOmega1

Process Control Corporation has introduced a brand-new powder batch blending system for up to 8 different powders and pellets.

The advantage of this new GUARDIAN® batch blender is a perfect mix of powders by the well-known Process Control accuracies. All that in a compact and dust-tight system.

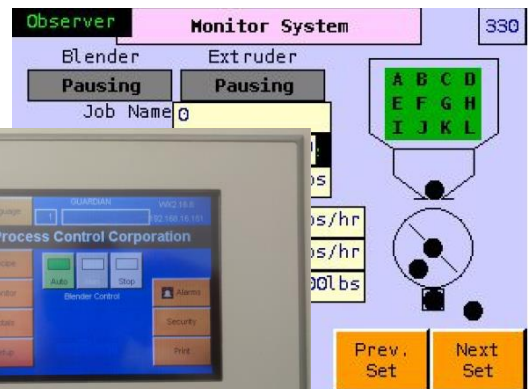
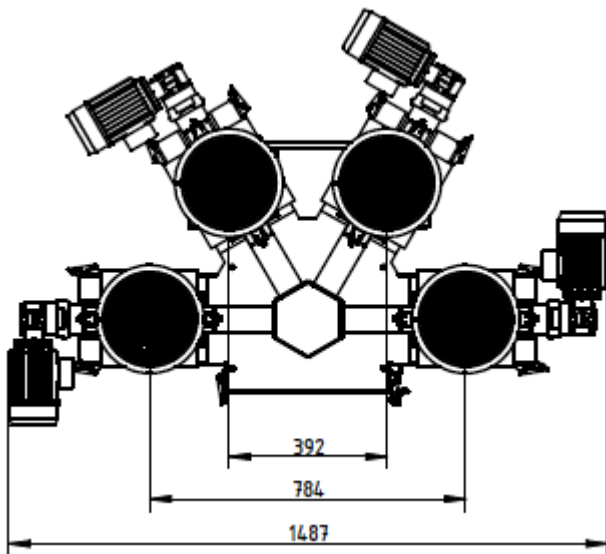
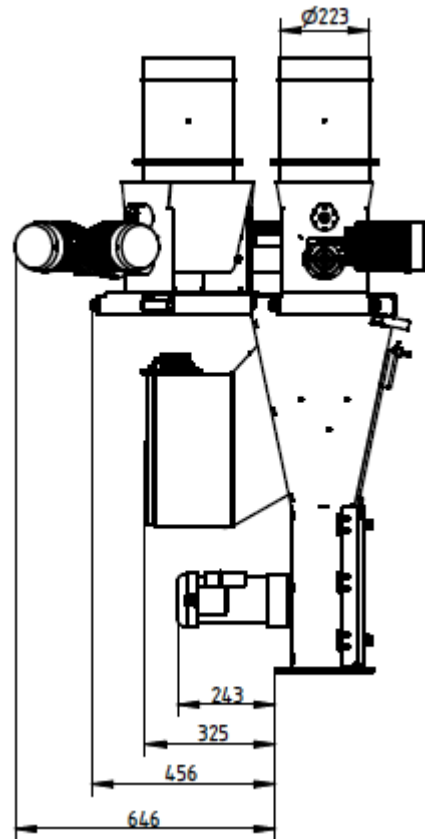
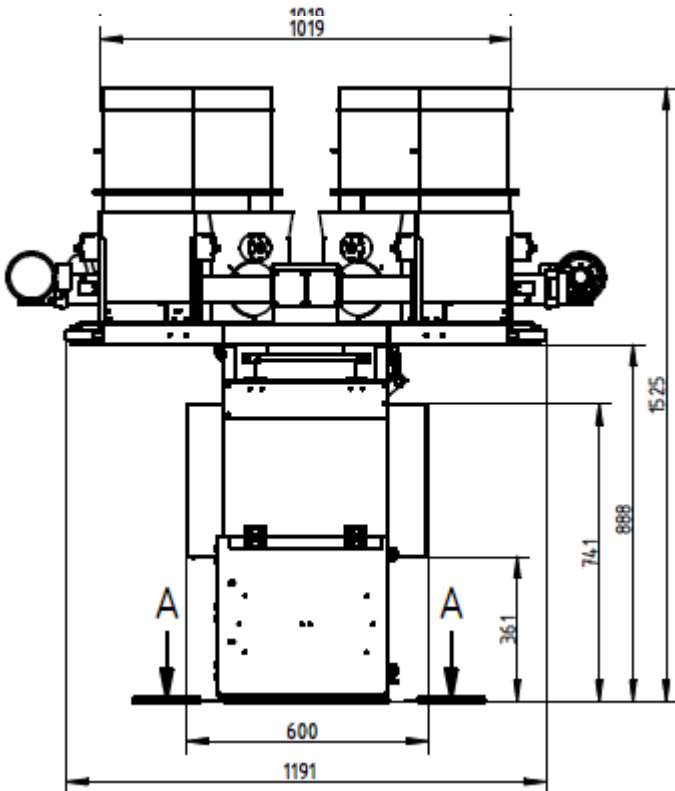
Each of the powder hoppers has an integrated, matching powder screw and bridge-breaking unit.

The newly designed conical weigh-hopper has an integrated butterfly valve along with special load cell technology. Our 3D powder agitator combined with our “upturned Omega” mixing chamber creates the perfect homogenization of the blend.

Available for many applications, to create a mixture of powders and granulates.
Throughputs up to 250kg/h.
Completely designed and developed in our Germany facility.
All parts in touch with the ingredients are made of 1.4301-stainless steel, to use in various industrial applications.



Guardian® WXOmega1



SPECIFICATION

Throughput: Depends on Size/Model
 Air consumption: less than 20 dm³/h
 Power supply: 230V/1Ph/50/60Hz
 400V/3Ph/50/60Hz

OPTIONS

- Gravimetric Extrusion Control
- Stand with integrated Pickup Box
- Adapterpiece for direct mounting on Extruder Throat
- Touchpanel with 7" or 10" display
- Profibus, Profinet, Modbus OPC, OPC UA-Protocol



PROCESS CONTROL
 Corporation

6875 Mimms Dr, Atlanta, GA 30340 USA
 Tel: 770-449-8810 Fax: 770-449-5445

E:mail: sales@process-control.com Web www.process-control.com

Process Control GmbH

Industrial, 15, 63633 Birstein, Deutschland
 Tel: (+49)06054-91290

E:mail: info@processcontrol-GmbH.de
 www.Processcontrol-GmbH.de