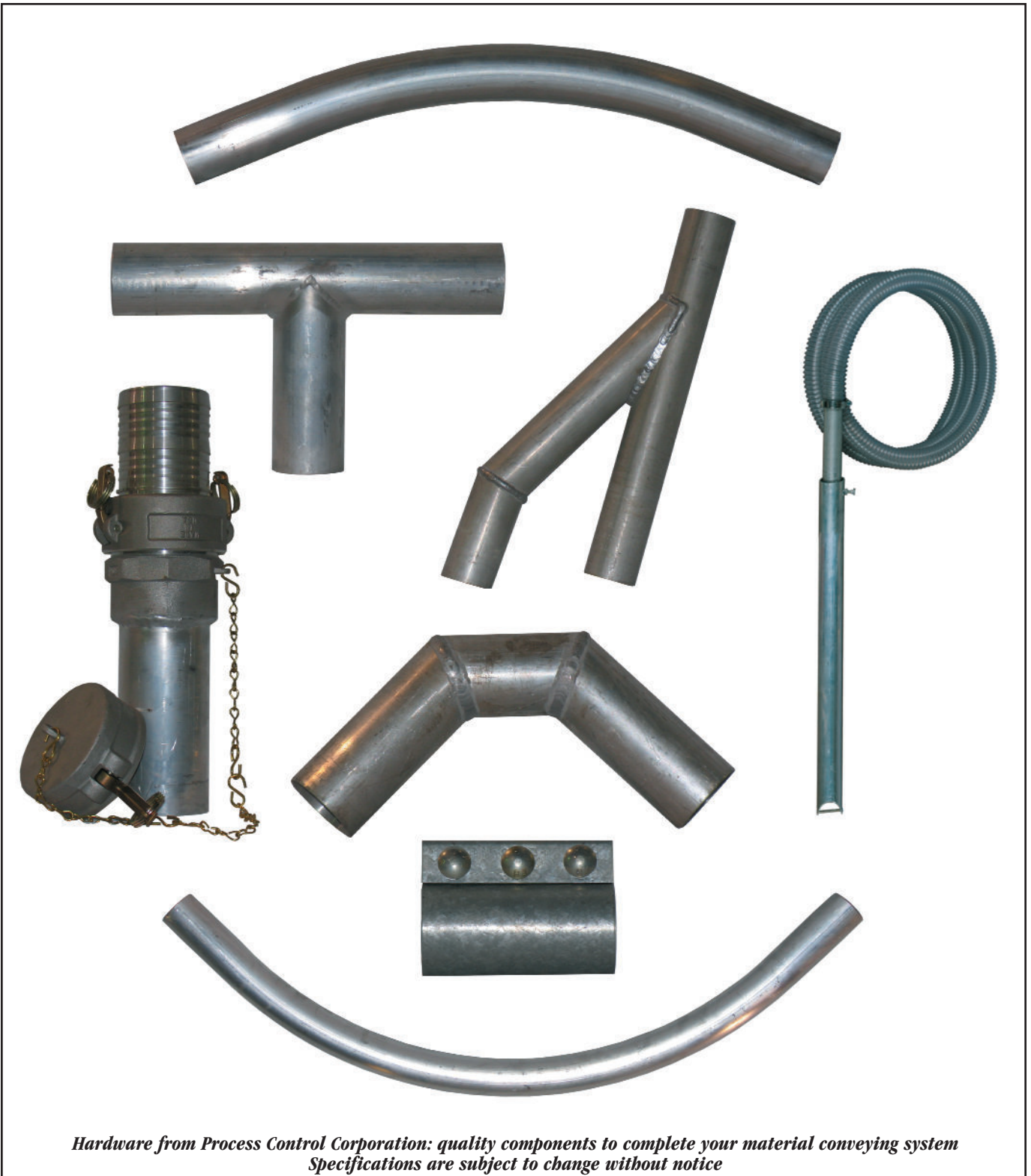


Hardware

Tubing, Pipe, Ells, Wyes and Couplings



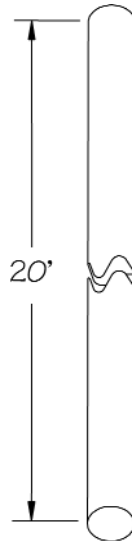
*Hardware from Process Control Corporation: quality components to complete your material conveying system
Specifications are subject to change without notice*

Tubing, Pipe, Ells, Wyes and Couplings

COUPLING SPECIFICATIONS (not shown)

Sizes	Part Number
1.5" OD	C0268
2.0" OD	C0273
2.5" OD	C0316
3.0" OD	C0281
3.5" OD (3.0" pipe)	C0280
4.0" OD	C0286
4.5" OD (4.0" pipe)	C0289
5.0" OD	C0291
5.563" OD (5.0" pipe)	C0293
6.0" OD	C0298
6.625" OD (6.0" pipe)	C0297

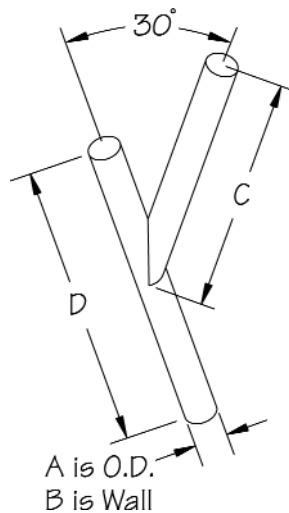
Shell Length: 6" (3 bolt pattern)
 Shell Material: Steel, zinc-coated
 Gasket Type: Black Neoprene Rubber
 Maximum Temperature: 212 F



ALUMINUM PIPE AND TUBING SPECIFICATIONS - 20' LENGTHS

Sizes		Part Number
1.5" OD	.065W	X911
2.0" OD		X912
2.5" OD		X913
3.0" OD		X914
3.5" OD (3.0" pipe)	.083W	X915
4.0" OD (3.5" pipe)		X916
4.5" OD (4.0" pipe)		X902
5.0" OD (4.5" pipe)	.120W	X924
5.563" OD (5.0" pipe)	.134W	X971
6.0" OD	.120W	X926
6.625" OD (6.0" pipe)	.134W	X950
8.0" OD	.120W	X0917

Note: Also available in stainless steel, shot peened, or spiral grooved.

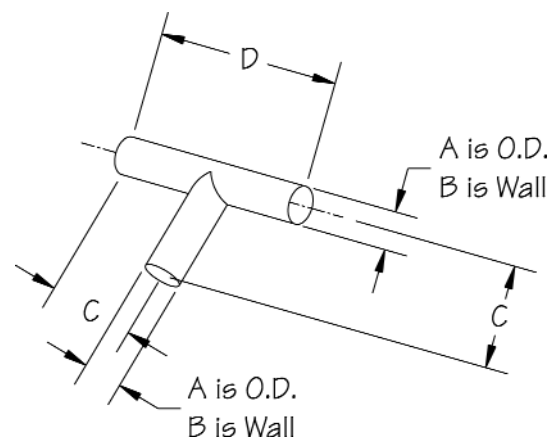


LATERAL WYE SPECIFICATIONS - 30 DEGREES

Aluminum Part Number	Stainless Steel Part Number	Dimensions (inches)				
		A	B		C	D
			Aluminum	S.Steel		
W0355	W0355-S	1.5	.065W	.065W	8.0	16.0
W0356	W0356-S	2.0			8.0	16.0
W0357	W0357-S	2.5			8.0	16.0
W0358	W0358-S	3.0			10.0	20.0
W0359	W0359-S	3.5	.083W	.083W	10.0	20.0
W0360	W0360-S	4.0			12.0	24.0
W0361	W0361-S	4.5			12.0	24.0
W0362	W0362-S	5.0	.120W	.120W	15.0	30.0
W0363	W0363-S	5.563	.134W	.134W	18.0	36.0
W0364	W0364-S	6.0	.120W	.120W		
00156	-	6.625	.134W	.134W		
W0365	W0365-S	8.0	.120W	.120W	22.0	40.0

ALUMINUM TEE SPECIFICATIONS

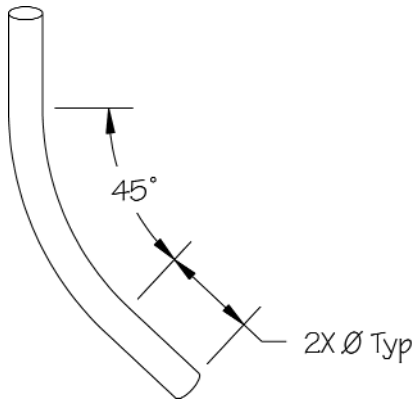
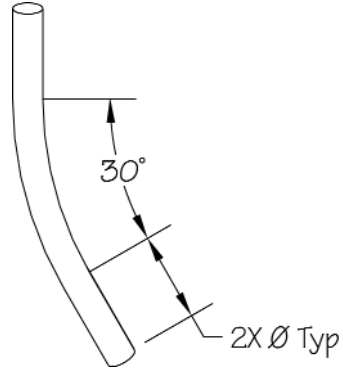
Part Number	Dimensions (inches)			
	A	B	C	D
T0687	1.5	.065W	8.00	16.00
T0688	2.0		8.00	16.00
T0689	2.5		8.00	16.00
T0690	3.0		8.00	16.00
T0691	3.5	.083W	8.00	16.00
T0692	4.0		8.00	16.00
T0693	4.5		9.00	18.00
T0694	5.0	.120W	9.00	18.00
T0695	5.563	.134W	9.00	18.00
T0696	6.0	.120W	10.00	20.00
00132	6.625	.134W	10.00	20.00
T0697	8.0	.120W	12.00	24.00



Tubing, Pipe, Ells, Wyes and Couplings

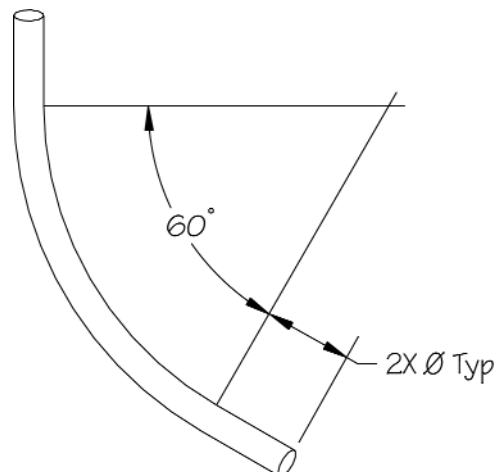
ELBOW SPECIFICATIONS - 30 DEGREE

Size	Wall x CLR Aluminum	Part Number	Wall x CLR Stainless Steel	Part Number
1.5" OD	.065W X 24" CLR	E0867	.065W X 24" CLR	E0868
2.0" OD		E0874		E0875
2.5" OD		E0881		E0882
3.0" OD		E0888		E0889
3.5" OD (3.0" pipe)	.083W X 36" CLR	E0894	.083W X 36" CLR	E0895
4.0" OD		E0900		E0901
4.5" OD (4.0" pipe)		E0906		E0907
5.0" OD	.120W X 48" CLR	E0912	.120W X 48" CLR	E0913
5.563" OD (5.0" pipe)	.134W X 48" CLR	E0918	.134W X 48" CLR	E0919
6.0" OD	.120W X 48" CLR	E0924	.120W X 48" CLR	E0925
8.0" OD		E0931		E0932



ELBOW SPECIFICATIONS - 45 DEGREE

Size	Wall x CLR Aluminum	Part Number	Wall x CLR Stainless Steel	Part Number
1.5" OD	.065W X 24" CLR	E0865	.065W X 24" CLR	E0866
2.0" OD		E0279		E0513
2.5" OD		E0318		E0514
3.0" OD		E0123		E0515
3.5" OD (3.0" pipe)	.083W X 36" CLR	E0319	.083W X 36" CLR	E0544
4.0" OD		E0320		E0231
4.5" OD (4.0" pipe)		E0321		E0404
5.0" OD	.120W X 48" CLR	E0296	.120W X 48" CLR	E0519
5.563" OD (5.0" pipe)	.134W X 48" CLR	E0128	.134W X 48" CLR	E0516
6.0" OD	.120W X 48" CLR	E0323	.120W X 48" CLR	E0520
6.625" OD (6.0" pipe)	.134W X 48" CLR	E0130		E0105
8.0" OD	.120W X 48" CLR	E0931		E0932



ELBOW SPECIFICATIONS - 60 DEGREE

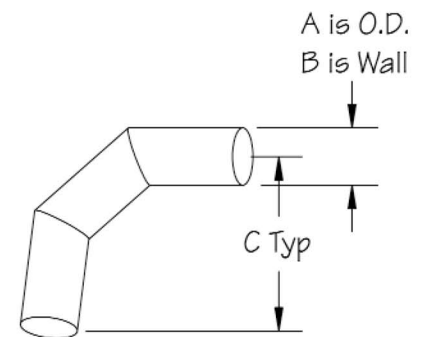
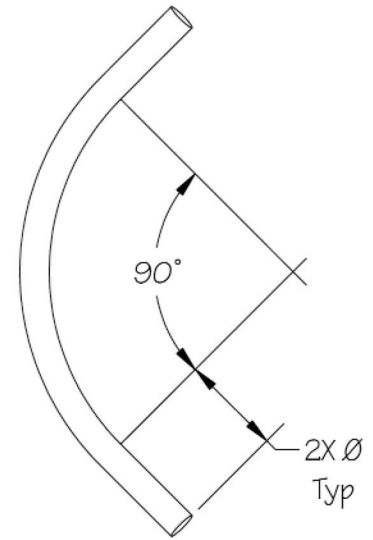
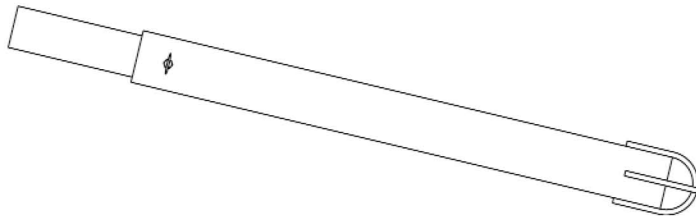
Size	Wall x CLR Aluminum	Part Number	Wall x CLR Stainless Steel	Part Number
1.5" OD	.065W X 24" CLR	E0869	.065W X 24" CLR	E0870
2.0" OD		E0876		E0877
2.5" OD		E0883		E0884
3.0" OD		E0890		E0891
3.5" OD (3.0" pipe)	.083W X 36" CLR	E0896	.083W X 36" CLR	E0897
4.0" OD		E0902		E0903
4.5" OD (4.0" pipe)		E0908		E0909
5.0" OD	.120W X 48" CLR	E0914	.120W X 48" CLR	E0915
5.563" OD (5.0" pipe)	.134W X 48" CLR	E0920	.134W X 48" CLR	E0921
6.0" OD	.120W X 48" CLR	E0927	.120W X 48" CLR	E0928
8.0" OD		E0935		E0936

Tubing, Pipe, Ells, Wyes and Couplings

ELBOW SPECIFICATIONS - 90 DEGREE

Size	Standard Wall x CLR	Part Number	Short Radius Wall x CLR	Part Number	Stainless Wall x CLR	Part Number
1.5" OD	.065W X 24" CLR	E0593	.065W X 12" CLR	E0871	.065W X 24" CLR	E0864
2.0" OD		E0134		E0878		E0297
2.5" OD		E0147		E0885		E0302
3.0" OD		E0198		E0892		E0517
3.5" OD (3.0" pipe)	.083W X 36" CLR	E0213	.083W X 12" CLR	E0898	.083W X 36" CLR	E0518
4.0" OD		E0283		E0904		E0492
4.5" OD (4.0" pipe)		E0288		E0910		E0243
5.0" OD	.120W X 48" CLR	E0156	.120W X 12.5" CLR	E0916	.120W X 48" CLR	E0114
5.563" OD (5.0" pipe)	.134W X 48" CLR	E0512	.134W X 30.5" CLR	E0922	.134W X 48" CLR	E0113
6.0" OD	.120W X 48" CLR	E0278	.120W X 20" CLR	E0928	.120W X 48" CLR	E0116
6.625" OD (6.0" pipe)	.134W X 48" CLR	E0309	.134W X 20" CLR	-	.134W X 48" CLR	E0401
8.0" OD	.120W X 48" CLR	E0557	.120W X 20" CLR	E0937	.120W X 48" CLR	E0930

Elbows are also available in stainless steel, shot peened and spiral ground.



PVC FLEX HOSE WITH GROUND WIRE		ALUMINUM PICKUP LANCE WITH FLEX HOSE	
Part Number	Size	Part Number	Size
X2402	1.5"	PLKBXX	1.5
X2403	2.0	PLKCXX	2.0
X2408	2.5"	PLKDXX	2.5
X2404	3.0"	PLKEXX	3.0
X2405	3.5"	PLKFXX	3.5
X2409	4.0"	PLKGXX	4.0
X2406	5.0"	Available with or without PVC flex hose.	
X2407	6.0"		

ALUMINUM ELBOW SPECIFICATIONS 90 DEGREES - MITERED			
Part Number	Dimensions (inches)		
	A	B	C
00023	2.0	.065	6.88
00024	2.5		7.56
00025	3.0		8.25
00026	3.5		9.00
00027	4.0	.125	9.68
00028	4.5		10.38
00133	5.0		11.25
00134	5.563	.134	11.92
00135	6.625		12.60



PROCESS CONTROL Corporation
 World Headquarters
 6875 Mimms Drive, Atlanta, GA 30340 USA
 Tel: (770) 449-8810 Fax: (770) 449-5445
 www.process-control.com

PROCESS CONTROL GmbH
 Industriestrasse 15, 63633 Birstein, Deutschland
 Tel: (+49) 0 60 54-91 29 0 Fax: (+49) 0 60 54-91 29 99
 E-Mail: ProcessControl@t-online.de